

Typical L-Frame Circuit Breaker

2



Contents

<i>Description</i>	<i>Page</i>
Product Overview	V4-T2-121
Standards and Certifications	V4-T2-122
Quick Reference	V4-T2-123
G-Frame (15–100 Amperes)	V4-T2-126
F-Frame (10–225 Amperes)	V4-T2-140
J-Frame (70–250 Amperes)	V4-T2-157
K-Frame (70–400 Amperes)	V4-T2-165
L-Frame (125–600 Amperes)	
Catalog Number Selection	V4-T2-193
Product Selection	V4-T2-194
Accessories	V4-T2-212
Technical Data and Specifications	V4-T2-214
Dimensions and Weights	V4-T2-217
M-Frame (300–800 Amperes)	V4-T2-218
N-Frame (400–1200 Amperes)	V4-T2-229
R-Frame (800–2500 Amperes)	V4-T2-244
Motor Circuit Protectors (MCP)	V4-T2-263
Motor Protection Circuit Breakers (MPCB)	V4-T2-274
Type ELC Current Limiter Attachment (Size 0–4)	V4-T2-276
Current Limiting Circuit Breaker Module	V4-T2-277
Internal Accessories	V4-T2-281
External Accessories	V4-T2-312

L-Frame (125–600 Amperes)

Product Description

- All Eaton L-Frame circuit breakers are HACR rated
- L-Frame circuit breakers are available as individual components (frame, trip unit, terminals), or factory assembled complete breakers
- L-Frame circuit breakers with non-interchangeable trip units are suitable for reverse feed use

Standards and Certifications

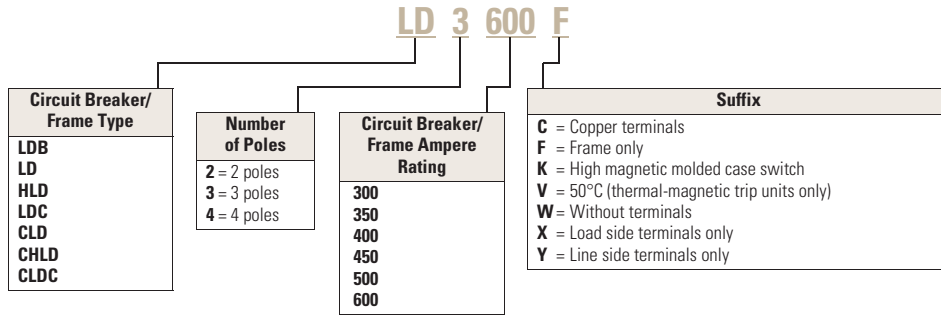
- CE marked



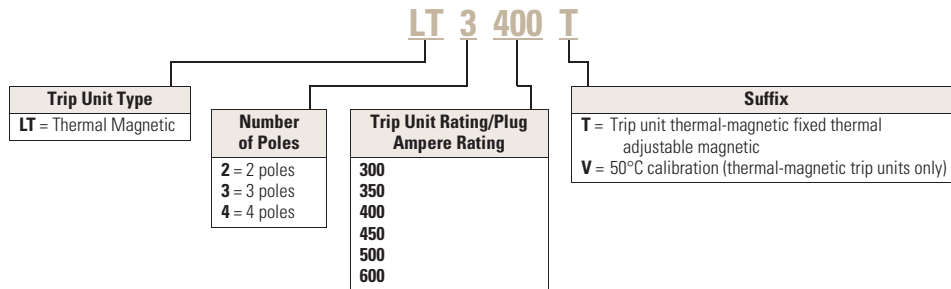
Catalog Number Selection

This information is presented only as an aid to understanding catalog numbers. It is not to be used to build catalog numbers for circuit breakers or trip units.

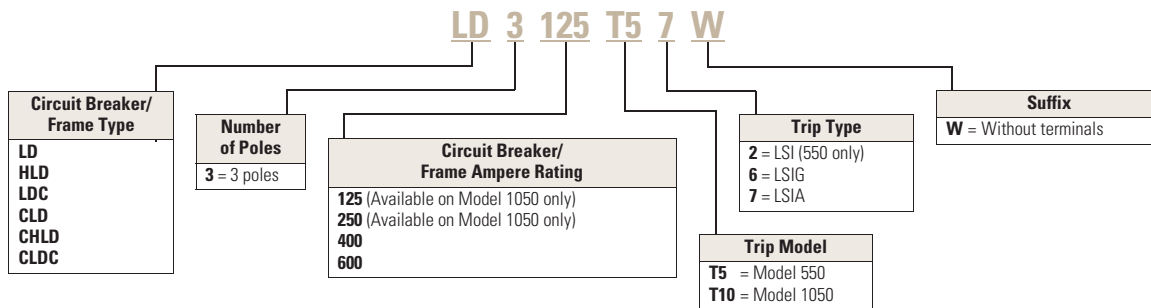
Circuit Breaker/Frame



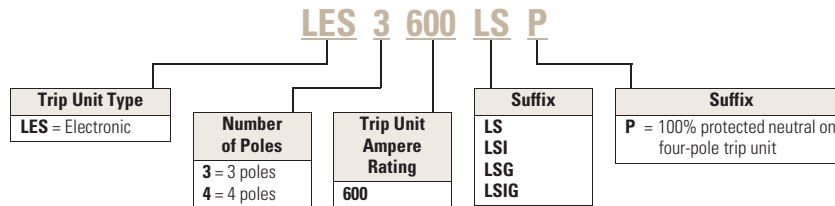
Thermal-Magnetic Trip Unit



OPTIM Circuit Breaker/Frame



Digitrip RMS 310 Trip Unit



100% Rated Types CLD, CHLD and CLDC Electronic Circuit Breakers with Interchangeable Trip Units

The NEC allows the breaker to be rated at 100% of its frame size in an assembly, provided that 90°C wire is applied at the 75°C ampacity. All 100% rated circuit breakers have electronic trip units. Order as individual components: breaker frame, trip unit, rating plug and terminals.

100% Rated Types CLD, CHLD and CLDC Electronic Circuit Breakers with Interchangeable Trip Units

Maximum Continuous Ampere Rating at 40°C ①	Circuit Breaker Frame Only			Digitrip RMS 310 Trip Unit Only			Digitrip RMS 310 Rating Plug Only			Standard Terminals Only	
	Standard Interrupting Capacity	High Interrupting Capacity	Ultra High Interrupting Capacity	Standard	Options	Options	Adjustable Rating Plug	Standard Terminals Only			
	600 Vac 35 kAIC at 480 Vac Catalog Number	600 Vac 65 kAIC at 480 Vac	600 Vac 100 kAIC at 480 Vac	Adjustable Short Time Pickup with I ² t Short Delay Ramp	Independently Adjustable Short Time Pickup and Ground Fault Protection	Independently Adjustable Short Time Pickup with I ² t Short Delay and Ground Fault Protection	Fixed Rating Plug Ampere Rating Catalog Number				
Three-Pole											
600	CLD3600F	CHLD3600F	CLDC3600F	LES3600LS	LES3600LSI	LES3600LSG	LES3600LSIG	300	6LES300T	300/400/500/600	TA602LD ②
								350	6LES350T	A6LES600T1	TA602LD ②
								400	6LES400T	420/440/460/480	TA602LD ②
								450	6LES450T	A6LES400T5	TA602LD ②
								500	6LES500T	520/540/560/580	3TA603LDK ③
								600	6LES600T	A6LES500T5	3TA603LDK ③

Notes

- ① Ampere rating is established by rating plug.
- ② Individually packed.
- ③ 3TA603LDK terminal kit contains one terminal for each pole and one terminal cover.