

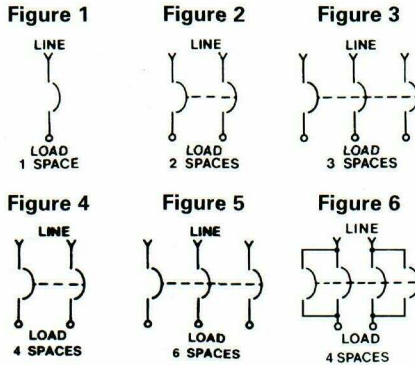


22,000 AIC High I.C. Breakers

Amps	Symb.	Catalog #	List Each	Std. Sleeve/ Carton	Approx. Wgt. Lbs. Sleeve/ Carton	Wire Range		
						Cu	Al	
1 POLE, 120/240V AC (TYPE MP-HT)								
15	Fig-1	MP115KH	44.00	12/48	4/15	#14-#8	#12-#8	
20		MP120KH	44.00	12/48	4/15			
30		MP130KH	47.50	12/48	4/15	#14-#6	#12-#6	
40		MP140KH	47.50	12/48	4/15			
50		MP150KH	47.50	12/48	4/15	#8-#6	#8-#4	
2 POLE COMMON TRIP, 120/240V AC^① (TYPE MP-HT)								
15	Fig-2	MP215KH	94.00	6/24	4/5	#14-#8	#12-#8	
20		MP220KH	94.00	6/24	4/5			
30		MP230KH	94.00	6/24	4/5	#14-#6	#12-#6	
40		MP240KH	94.00	6/24	4/5	#8-#6	#8-#4	
50		MP250KH	94.00	6/24	4/5			
60		MP260KH	94.00	6/24	4/5	#8-#4	#8-#2	
70		MP270KH	147.00	6/24	4/5	#8-#4	#8-#2	
90		MP290KH	207.00	6/24	5/19	#4-#1/0	#2-#1/0	
100		MP2100KH	207.00	6/24	6/25			
125		MP2125KH	684.00	6/24	6/25	#2-#1/0	#1/0-#2/0	
2 POLE COMMON TRIP, 120/240V AC^① (TYPE MD-HT) (NEW PRODUCT)								
150	Fig-4	MPD2150KH ^{②③}	684.00	1	3.00	#4-#300 kcmil Cu/Al		
150		MPD2150RH	684.00	1	3.00			
175		MPD2175KH ^{②③}	684.00	1	3.00			
175		MPD2175RH	684.00	1	3.00			
200		MPD2200KH ^{②③}	684.00	1	3.00			
200		MPD2200RH	684.00	1	3.00			
2 POLE COMMON TRIP, 120/240V AC (TYPE MPP-HT)								
125	Fig-6	MPP2125KH	684.00	2/8	4/16	#4-#300 kcmil Cu/Al		
150		MPP2150KH	721.00	2/8	4/16			
175		MPP2175KH	721.00	2/8	4/16			
200		MPP2200KH	721.00	2/8	4/16			
3 POLE COMMON TRIP, 240V AC (TYPE MP-HT)								
15	Fig-3	MP315KH	240.00	4/24	5/20	#14-#8	#12-#8	
20		MP320KH	240.00	4/24	5/20			
30		MP330KH	240.00	4/24	5/20	#14-#6	#12-#6	
40		MP340KH	240.00	4/24	5/20	#8-#6	#8-#4	
50		MP350KH	240.00	4/24	5/20			
60		MP360KH	240.00	4/24	5/20	#8-#4	#8-#2	
70		MP370KH	307.00	4/24	5/20			
100		MP3100KH	344.00	4/24	5/20	#4-#1/0	#2-#1/0	
3 POLE COMMON TRIP, 240V AC (TYPE ED-H)								
125		Fig-5	EP3125KH ^④	1140.00	1	3.50	#6-#1/0 Cu/Al	
150	EP3150KH ^④		1140.00	1	3.50	#2-#300 kcmil Cu/Al		
175	EP3175KH ^④		1140.00	1	3.50			
200	EP3200KH ^④		1140.00	1	3.50			
225	EP3225KH ^④		1140.00	1	3.50			

Wire range is lug capacity. Refer to National Electrical Code for specific wire sizes.

Accessories—See page CB-12.



65,000 AIC High I.C. Breakers

Amps	Symb.	Catalog #	List Each	Std. Sleeve/ Carton	Approx. Wgt. Lbs. Sleeve/ Carton	Wire Range	
						Cu	Al
1 POLE, 120/240V AC (TYPE MP-MT)							
15	Fig-1	MP115KM	77.00	12/48	4/15	#14-#8	#12-#8
20		MP120KM	77.00	12/48	4/15		
2 POLE COMMON TRIP, 120/240V AC (TYPE MP-MT)							
30	Fig-2	MP230KM	225.00	6/24	4/15	#14-#6	#12-#6
50		MP250KM	225.00	6/24	4/15	#8-#6	#6-#4
60		MP260KM	225.00	6/24	4/15	#8-#4	#8-#2
70		MP270KM	357.00	6/24	4/15	#8-#4	#8-#2
100		MP2100KM	424.00	6/24	4/15	#4-#1/0	#2-#1/0
2 POLE COMMON TRIP, 120/240V AC (TYPE MPP-MT)							
125	Fig-6	MPP2125KM	1427.00	1	2.00	#4-#300 kcmil Cu/Al	
150		MPP2150KM	1427.00	1	2.00		
175		MPP2175KM	1427.00	1	2.00		
200		MPP2200KM	1427.00	1	2.00		
3 POLE COMMON TRIP, 240V AC (TYPE MP-MT)							
60	Fig-3	MP360KM	364.00	4/24	5/20	#8-#4	#8-#2
100		MP3100KM	452.00	4/24	5/20	#4-#1/0	#2-#1/0

① May be used as mains in, or ahead of, Murray load centers on systems delivering up to 22,000 RMS symmetrical amps with 10,000 AIC rated Type MP-T & MH-T breakers as branches. See Circuit Breaker Series Rating information in appropriate product section.

② Requires 4 panel spaces, 2 Adj. & 2 Opp.

③ Available with reverse handle operation for use as load center main and branch breakers. Replace 'KH' suffix with 'RH'. "ON" position toward lugs.

④ Requires 6 panel spaces, 3 Adj. & 3 Opp.

Circuit Breakers

Circuit breakers in this section are plug-in and bolted style, 15-1200 amp, 1, 2 and 3 poles. A standard modular construction of either one inch per pole or one-half inch per pole is used on all plug-in circuit breakers. (Style MSQ breakers are 3/4" format.)

1" per pole circuit breakers are available in 1, 2 and 3 pole units. Multi-pole breakers are factory riveted, with handle ties, and internal common-trip mechanisms. Single pole circuit breakers may be used in pairs, as two pole breakers with appropriate handle tie accessory. When field paired, these breakers have no internal common trip provision.

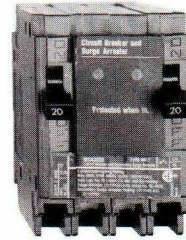
Half size 1/2" per pole circuit breakers are available as riveted duplex, triplex and quadplex breakers. Riveted duplexes combine two independent poles in a one-inch space. Triplex breakers are four 1/2" poles riveted together with two single poles on the outside and two common-trip poles on the inside, requiring 2" of panel space. Quadplex breakers are four 1/2" poles, riveted together with handle-tied poles on the outside and handle-tied poles on the inside, requiring 2" of panel space.

Design/Performance Features

- Murray breakers through 125 amp are Underwriters' Laboratories listed for use with 60°C or 75°C wire.
- Full size and half size circuit breakers are UL Listed for HACR.
- Full size circuit breakers, page **CB-4**, 1 pole, 15 & 20 amp, are UL Listed SWD.
- Trip free handle mechanism assures breaker will trip on over-current even if handle is blocked.
- Center-position "trip" indication of handle gives clear visual identification of tripped breaker.

MP250GF

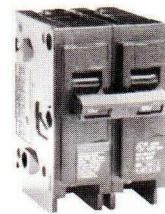
Double pole ground fault circuit breaker, rated 120/240V AC, UL listed as a Class A device (5 milliamp sensitivity).

MSA2020

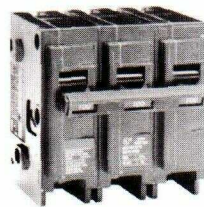
20 Amp circuit breaker and secondary surge arrester. Whole house transient surge protection combined with two independent 20 Amp single pole circuit breakers.

MP120

20 Amp full size (1" per pole) plug-in circuit breaker. Single pole 120/240V AC, 10,000 AIC. SWD/HACR rated.

MP260

60 Amp full size (1" per pole) plug-in circuit breaker. Double pole, common trip, 120/240V AC, 10,000 AIC. HACR rated.

MP3100

100 Amp full size (1" per pole) plug-in circuit breaker. Three pole 240V AC, 10,000 AIC. HACR rated.

MP120AF

20 Amp full size plug-in Arc-Fault circuit interrupter, rated 120/240 VAC, UL listed device.

Time-Current Characteristic Curves

125 Amp MP Frame, Type MP-T, 1, 2 & 3 Poles

For application and coordination purposes only. Based on 40°C ambient cold start. Connected with 4 feet of rated wire (75°C) per terminal. Tested in open air with current in all poles.

Type MP-T	60 HZ 1-Pole	120/240 Volts
	60 HZ 2-Pole	120/240 Volts
	60 HZ 3-Pole	240 Volts

1 Pole Instantaneous Trip Table

Rating Amperes	Fixed Instantaneous Trip Amperes
15-20	160-210
25-40	350-550
45-50	450-700

2 & 3 Pole Instantaneous Trip Table

Rating Amperes	Fixed Instantaneous Trip Amperes
15, 25-35	350-700
20	450-700
40	350-550

Interrupting Rating Symmetrical RMS Amperes

Breaker Type	120V	120/240V	240V
1-Pole	—	10,000	—
2-Pole	—	10,000	—
3-Pole	—	—	10,000

Footnotes refer to curve at right.

① Single pole test data at 25°C in accordance with NEMA standards.

0-30 amperes—50 seconds

31-50 amperes—80 seconds

② Sample Instantaneous shown (20 Amp 1, 2 & 3 Pole). For other instantaneous values, see tables above.

Industry and Government Specifications

Murray circuit breakers meet or exceed the latest edition of the following specifications:

Industry

NEMA—Standard #AB1

UL —Standard #489

CSA —Standard #C22.1, No. 5.1

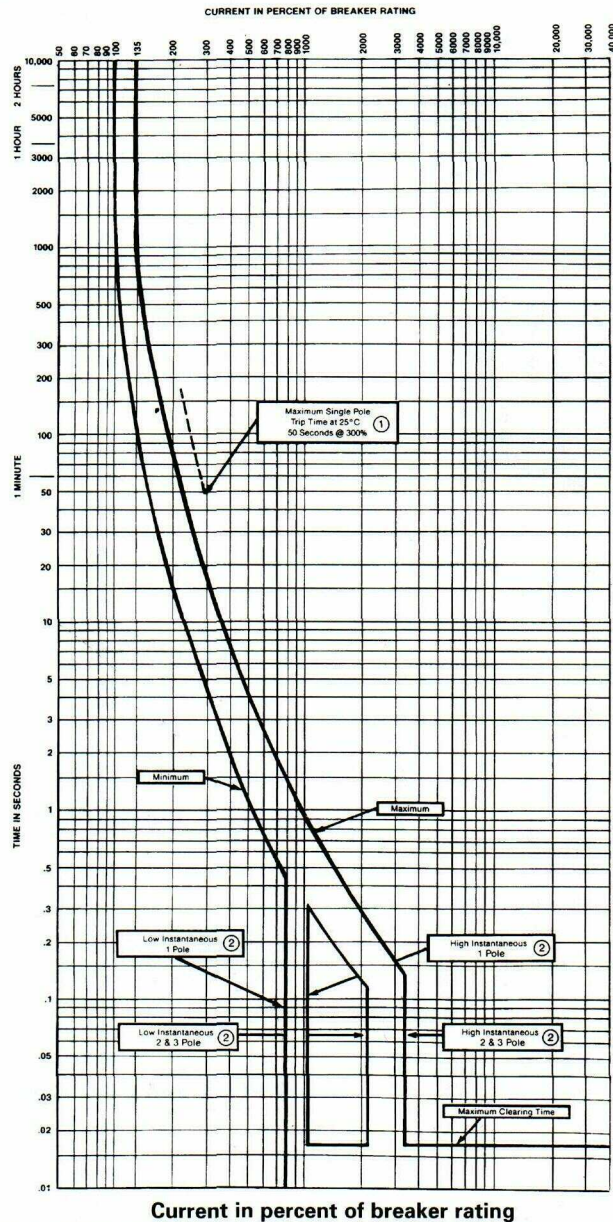
U.S. Government

Standard #W-C-375B

60°C/75°C Ampacity Rating

Murray circuit breakers rated 125A and below are Listed by UL for use with 60°/75°C ampacities. This listing allows use of smaller wire sizes in many applications. Consult NEC Article #310 for application details and limitations.

Murray Time-Current Characteristic Curves 125 AMP MP Frame, Type MP-T 1, 2 & 3 Poles



Circuit Breaker UL Type

Catalog # Prefix	UL Type*
MP(150-200A)	MD-A, MD-H, MD-T, MD-HT
MP(15-125A)	MP-T, MP-HT, MP-MT, MG, MW
MP(Duplex)	MH-T
MP(Triplex)	MH-T
MP(GFCI)	MP-GT, MP-HGT
MP(AFCI)	MP-AF, MP-HAF

*UL Type is shown on circuit breaker label.

SWD

Full size, single pole 15&20 amp, UL Type MP-T circuit breakers are UL Listed "SWD", for switching duty use on circuits controlling fluorescent lights. (1996 NEC article #240-83d).

HACR

All Murray circuit breakers are UL Listed "HACR" rated for use on heating, air conditioning and refrigeration circuits per 1996 NEC article #430-53 (c) (3).